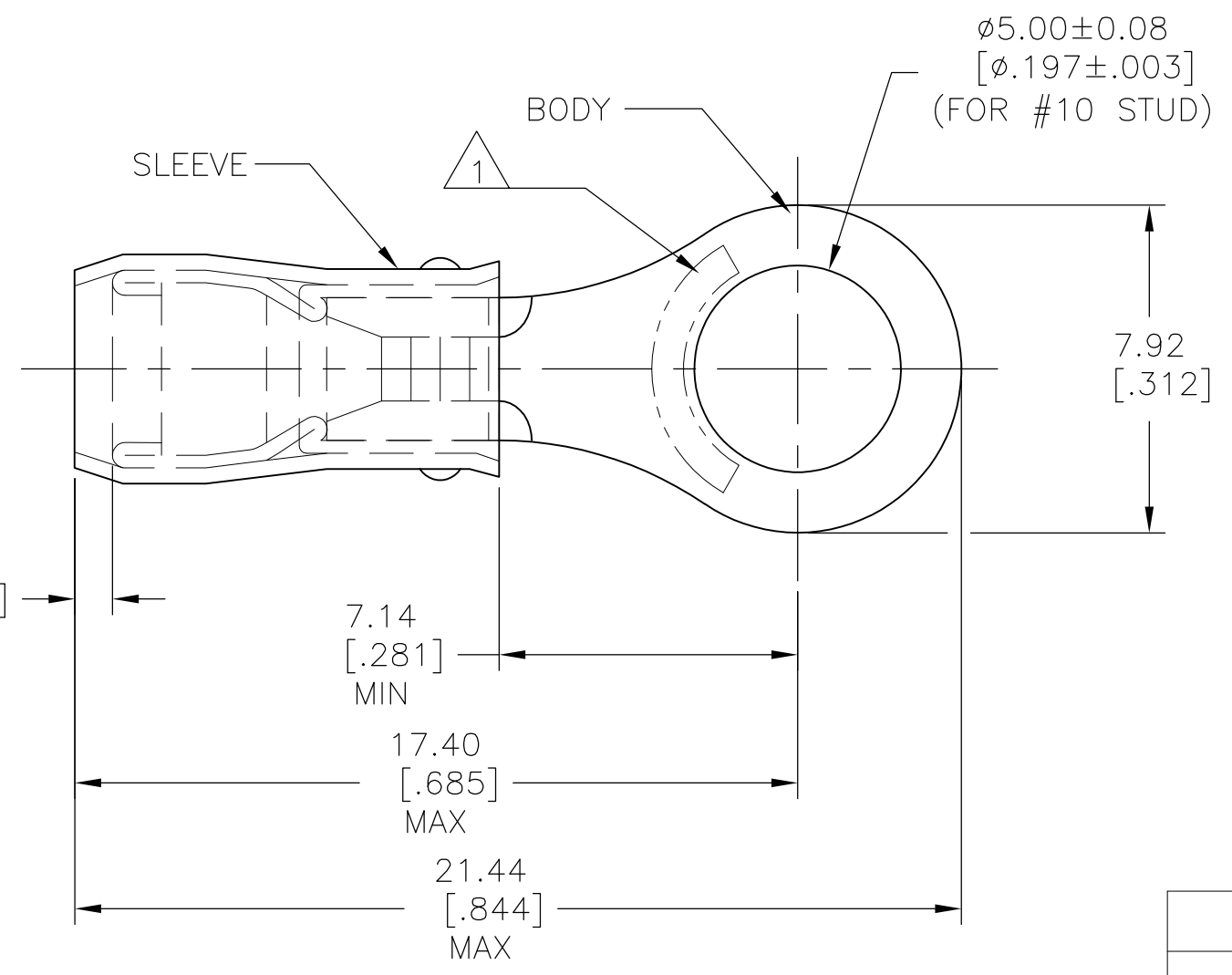


THIS DRAWING IS UNPUBLISHED. RELEASED FOR PUBLICATION
 © COPYRIGHT - By - ALL RIGHTS RESERVED.

LOC	DIST	REVISIONS					
		P	LTR	DESCRIPTION	DATE	DWN	APVD
G	14		AA	REVISED PER ECO-14-015277	13FEB2015	NK	DR

AMP WIRE RANGE	E13288 Listed	LR7189 Certified
22-16 AWG SOLID OR STRANDED	22-16 AWG SOLID OR STRANDED	22-16 AWG SOLID OR STRANDED



- 1 STAMP AMP 22-18* APPROX AS SHOWN
22-16 TERMINALS ARE STAMPED 22-18 IN
ACCORDANCE WITH MILITARY SPEC MIL-T-7928
COMMERCIAL WIRE RANGE IS 22-16.
- 2 WIRE INSULATION DIA: 2.03-3.18[.080-.125].
- 3 TONGUE MATERIAL THK: 0.79±0.05[.031±.002].

MILITARY P/N AND CLASS	QUANTITY	PACKAGE TYPE	PART NO
-	100	LOOSE PIECE, BOX	6-36153-1
MS25036-103 CLASS 2	5000	ON TAPE, REEL	2-36153-2
MS25036-103 CLASS 1 & 2	1000	LOOSE PIECE	36153

AMP INCORPORATED CUSTOMER SERVICE SYSTEMS		MAX RECOMMENDED OPERATING TEMPERATURE: 105°C MAX
FOR ADDITIONAL PRODUCT INFORMATION OR COPIES OF DRAWINGS AND TECHNICAL DOCUMENTS	PRODUCT INFORMATION CENTER 1-800-522-6752	VOLTAGE RATING: 300 V MAX
FOR APPLICATION TOOLING INFORMATION	TOOLING ASSISTANCE CENTER 1-800-722-1111	CIRCULAR MIL AREA: 0.26-1.65mm ² [509-3,260] CIR MILS SOLID OR STRANDED
FOR ORDER ENTRY	1-800-526-5142	THIS DRAWING IS A CONTROLLED DOCUMENT FOR AMP INCORPORATED. IT IS SUBJECT TO CHANGE AND THE CONTROLLING ENGINEERING ORGANIZATION SHOULD BE CONTACTED FOR THE LATEST REVISION.

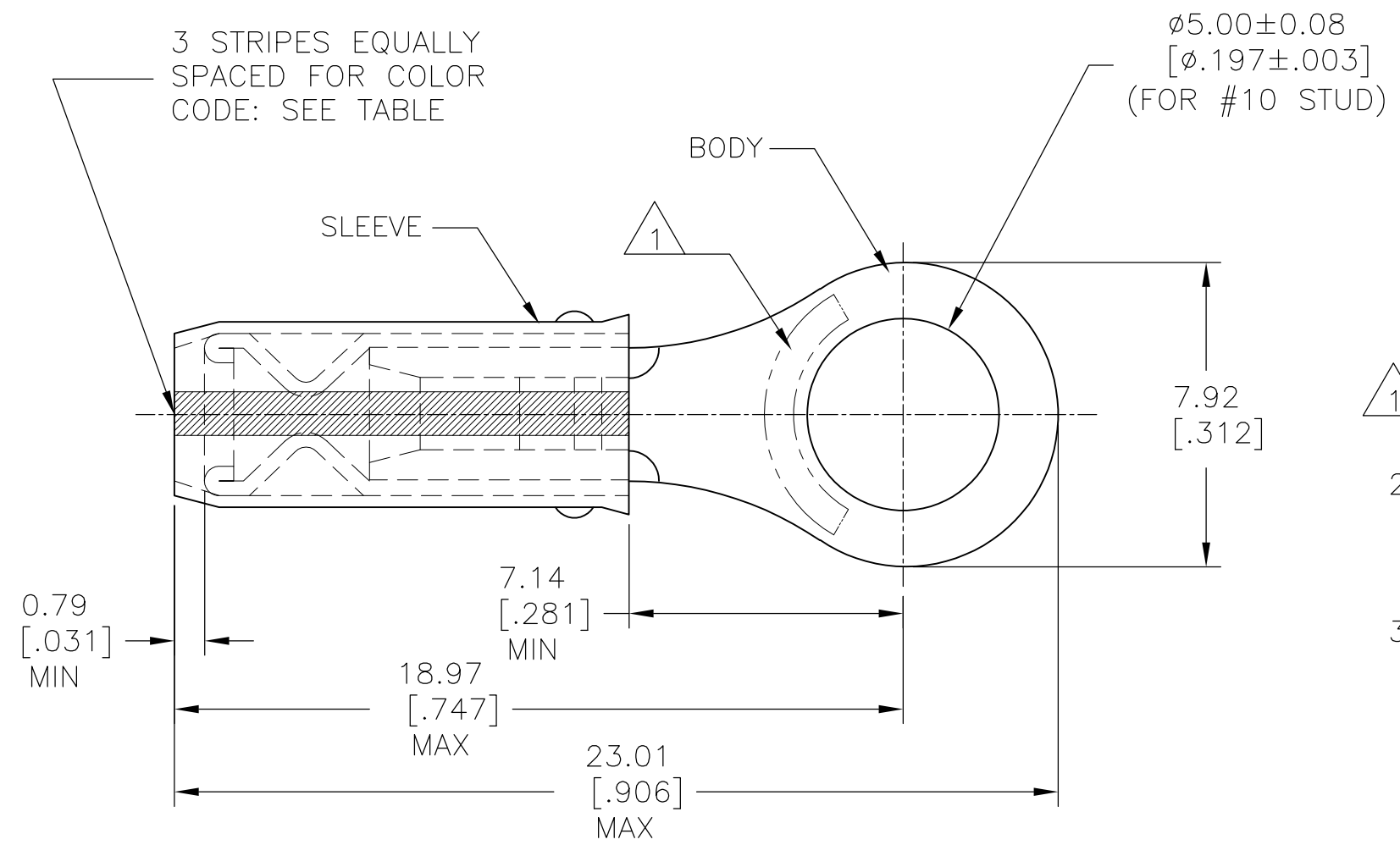
THIS DRAWING IS A CONTROLLED DOCUMENT.		DWN DK SCHRUM 9/8/93	TE Connectivity	
DIMENSIONS: mm [INCHES]		CHK RE HERSEY 9/8/93		
TOLERANCES UNLESS OTHERWISE SPECIFIED:		APVD ML ELLIS 9/8/93	NAME TERMINAL, RING TONGUE, PIDG™ WIRE SIZE, 22-16 AWG	
0 PLC ± -		PRODUCT SPEC UL 486A	SIZE A3	
1 PLC ± -		APPLICATION SPEC NOT AVAILABLE	CAGE CODE 00779	DRAWING NO C-36153
2 PLC ± 0.20[.008]		WEIGHT -	RESTRICTED TO -	
3 PLC ± -		CUSTOMER DRAWING		
4 PLC ± -		SCALE NTS		
ANGLES ± -		SHEET 1 OF 2		
MATERIAL COPPER PER ASTM B-152 SLEEVE, RED NYLON	FINISH TIN PLATE PER ASTM B545	REV AA		

THIS DRAWING IS UNPUBLISHED. RELEASED FOR PUBLICATION
 © COPYRIGHT - By - ALL RIGHTS RESERVED.

LOC	DIST	REVISIONS					
G	14	P	LTR	DESCRIPTION	DATE	DWN	APVD
		-		SEE SHEET 1	-	-	-

AMP
WIRE RANGE

SEE TABLE
STRANDED



- 1 STAMP AMP [] APPROX AS SHOWN SEE TABLE BELOW.
- 2 WIRE INSULATION DIA: 0.97-2.79[.038-.110] FOR 22 AWG.
1.17-2.79[.046-.110] FOR 20 AWG.
1.42-2.79[.056-.110] FOR 18 AWG.
- 3 TONGUE MATERIAL THK: 0.79±0.05[.031±.002].

-	WHITE	18*	18	100	LOOSE PIECE, BOX	9-36153-1
-	RED	20*	20	100	LOOSE PIECE, BOX	8-36153-1
-	GREEN	22*	22	100	LOOSE PIECE, BOX	7-36153-1
MS7928/1-33 CLASS 2	WHITE	18*	18	5000	ON TAPE, REEL	2-36153-9
M7928/1-24 CLASS 2	RED	20*	20	5000	ON TAPE, REEL	2-36153-8
M7928/1-15 CLASS 2	GREEN	22*	22	5000	ON TAPE, REEL	2-36153-6
MS7928/1-33 CLASS 1 & 2	WHITE	18*	18	1000	LOOSE PIECE	2-36153-5
M7928/1-24 CLASS 1 & 2	RED	20*	20	1000	LOOSE PIECE	2-36153-4
M7928/1-15 CLASS 1 & 2	GREEN	22*	22	1000	LOOSE PIECE	2-36153-3
MILITARY P/N AND CLASS	STRIPE COLOR	1 STAMPING	WIRE SIZE	QUANTITY	PACKAGE TYPE	PART NO

AMP INCORPORATED
CUSTOMER SERVICE SYSTEMS

FOR ADDITIONAL PRODUCT INFORMATION OR COPIES OF DRAWINGS AND TECHNICAL DOCUMENTS FOR APPLICATION TOOLING INFORMATION FOR ORDER ENTRY

PRODUCT INFORMATION CENTER
1-800-522-6752

TOOLING ASSISTANCE CENTER
1-800-722-1111

1-800-526-5142

MAX RECOMMENDED OPERATING TEMPERATURE: 105°C MAX

VOLTAGE RATING: 300 V MAX

WIRE RANGE:	CIRC MIL AREA:
22	0.38mm ² [754]
20	0.60mm ² [1,186]
18	0.96mm ² [1,900]

STRANDED

THIS DRAWING IS A CONTROLLED DOCUMENT FOR AMP INCORPORATED. IT IS SUBJECT TO CHANGE AND THE CONTROLLING ENGINEERING ORGANIZATION SHOULD BE CONTACTED FOR THE LATEST REVISION.

THIS DRAWING IS A CONTROLLED DOCUMENT.

DIMENSIONS: mm [INCHES]	TOLERANCES UNLESS OTHERWISE SPECIFIED:
	0 PLC ± -
	1 PLC ± -
	2 PLC ± 0.20[.008]
	3 PLC ± -
	4 PLC ± -
ANGLES ± -	

MATERIAL: COPPER PER ASTM B-152 SLEEVE, RED NYLON

FINISH: TIN PLATE PER ASTM B545

DWN	DK SCHRUM	9/8/93
CHK	RE HERSEY	9/8/93
APVD	ML ELLIS	9/8/93
PRODUCT SPEC	-	
APPLICATION SPEC	NOT AVAILABLE	
WEIGHT	-	

CUSTOMER DRAWING

STE TE Connectivity

NAME: TERMINAL, RING TONGUE, I.R., PIDG™ WIRE SIZE, 22-16 AWG

SIZE	CAGE CODE	DRAWING NO	RESTRICTED TO
A3	00779	C-36153	-

SCALE: NTS SHEET: 2 OF 2 REV: AA